

OPERATION AND MAINTENANCE.

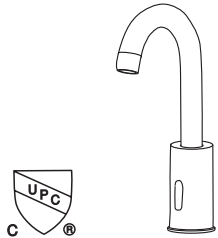
CAREFULLY READ THIS INSTRUCTION MANUAL BEFORE INSTALLING AND USING

PLEASE KEEP THIS INSTRUCTION MANUAL FOR FUTURE REFERENCE FOR PRODUCT

Do not place or install the product directly under the sun or long exposure of sunlight.
Do not place any catoptric items such as mirror to the opposite wall of the inductive window.

Do not use contaminated water with the device.

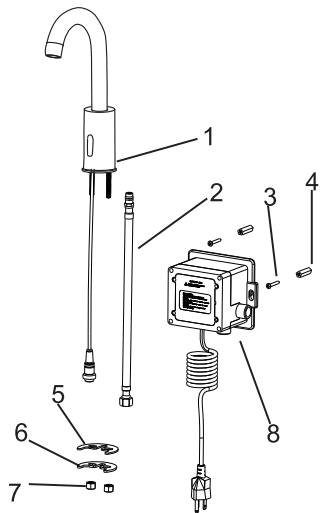
Do not soak the device in water, this will causes permanent damage.



Single Hole Electrical Washbasin Faucet

Brass Construction
UL American Plug
Easy Installation

DIAGRAM AND PARTS LIST



1. Sensor faucet body
2. braided hose
3. Self-tapping screw
4. Plastic sleeve
5. Rubber gasket
6. Stainless steel gasket
7. Nut
8. Control box

RECOMMENDED TOOLS



Product Description & Information

Features:

- Water saving control - sensor responds to object approach in 0.5s and stops once object leave sensor range.
- Sanitation - automatic sensor keeps hand free of touching faucet
- Intelligent sensor - Faucet will automatically stop if water flows over 1 minute. Sensor resets in 10s. Faucet stops working if water supply or power is out to minimize water leakage.
- Low power consumption - 4x AA batteries can be consumed for 2 years 300 cycles a day.
- Stable & Reliable - all faucets are manufacture under harsh moisture and humidity test.

Specification:

- Power Voltage: AC110 (60Hz) and Dc (4 x AA batteries)
- Water pressure: 0.05 - 0.6 MPa
- Water Temperature: 0 - 80°C
- Ambient temperature: 0.1-45 °C
- Detection range: 10-15 cm
(Manufacturer set, detection range does not need to be adjusted. If you need to adjust, please contact the merchant.)

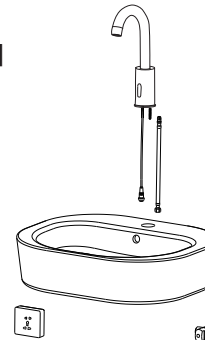
ASSEMBLY INSTRUCTIONS

[1]



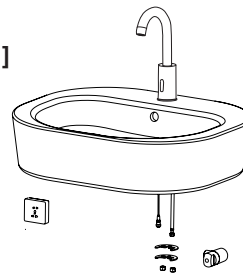
1. Connect with water inlet hose

[2]



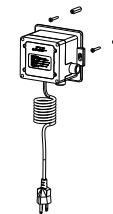
2. Put the hoses into basin sink hole

[3]



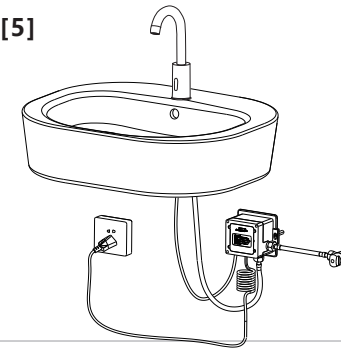
3. Fix the sensor faucet body with filler pieces and nut

[4]



4. Hang the control box on the wall fixture:
a. drill two wall holes, and insert the plastic expansion sleeve and screws

[5]

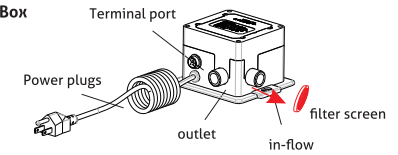


5. Connect the water inlet hose with control box. Make sure everything is secured then connect the control box with power outlet.

• Single cold control box

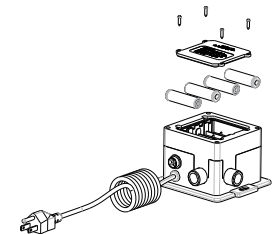
Clean filter : Cold Water Control Box

1. Disconnect the power plug
2. Turn off waterway.
3. Take out filter screen with a plier.
4. Clean filter screen gently with running water and replace the screen. Connect the power.



• Installation of battery

1. When the battery is out, the light sensor will flash in every 2 to 3 sec.
2. Replace the battery by taking off the cover and replace new battery.



Simple Troubleshooting

Phenomenon	Reason	Solution
No water comes out	Batteries run out	Replace new batteries
	electricity cut off	waiting for resume
	power failure	check power connection
	water cut off	waiting for resume
	filter blocked	clean the filter
Can't stop flowing	washing more than 1 min.	use it 10 sec later
	Batteries run out	Replace new batteries
Shut off faucet but low water flows	electricity cut off	waiting for resume
	power failure	check power connection
	Obstacle blocked	remove the obstacle
water rate is too small	low water pressure	reset water pressure
	inlet hose too small	change a standard size hose
	triangular valve didn't open	Open the valve at full
Batteries short time limited	low water pressure	reset water pressure
	used non-alkaline or poor quality battery	replace new batteries